



INTERNATIONAL
Brabender Technologie GmbH & Co. KG
Kulturstrasse 49
47055 Duisburg, Germany

RUSSIA
OOO „Service Vostok“
1-st Tshipkovsky per. H20
Office 16
115093 Moscow, Russia

PR CHINA
Brabender Technology (Beijing) Co., Ltd.
3rd F, B Section, No. 3 Workshop, 2nd Project
of Guanglian Industrial Park, No. 2 Kechuang
East 5th Rd., Opto-Mechatronics Industrial Park
Tongzhou, Beijing 101111, China

NORTH AMERICA
Brabender Technologie Inc.
6500 Kestrel Road, Mississauga
Ontario L5T 1Z6, Canada

INDIA
Brabender Technologie GmbH & Co. KG
(India Branch Office)
BE-86, Sector-I (2nd & Gr. Floor)
Salt Lake City, Kolkata - 700064, India

UNITED ARAB EMIRATES
Brabender Technologie Middle East
P.O. Box 18139
Dubai, United Arab Emirates



Further international
agency addresses

www.brabender-technologie.com
www.bt-cito.com

Keep the Flow

DISCHARGING AND REFILLING



Bagged materials modular
Filling level compact
Unloading ATEX Dust-free
Bag dump chute Weighing
Discharging
Refilling
Industrial safety Silo
Activation Bulk bag unloading
Hopper Bulk material



BAGGED INGREDIENTS

BAGDUMPER

The BagDumper is a feeding station for a very wide range of different bagged ingredients and can be used as a refill device for gravimetric feeders. Given its trim level flexibility that incorporates various modules, it is ideally suited to ergonomic operation.



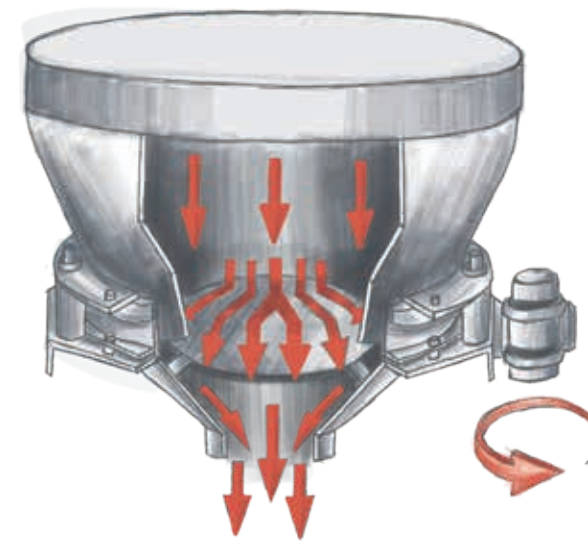
OPTIONS

- Hygienic design
- Explosion-proof (ATEX) design
- Food compliant finish
- Four analog load cells for accurate filling-level weighing
- Integrated feeder
- Visual filling-level display
- Dust-free version with glove box
- Sight window
- Bypass for alternative product feed
- Safe empty bag discharge
- Air Filter System

SILOS AND BINS

BAV

The BAV vibratory bin activator aids the discharge of bulk materials from silos and bins. The unbalance motor causes the discharge bottom to rotate horizontally, which ensures steady product flow entirely – avoiding bridging. Ideal for bulk materials with poor flow properties.



BAV MODEL SIZES

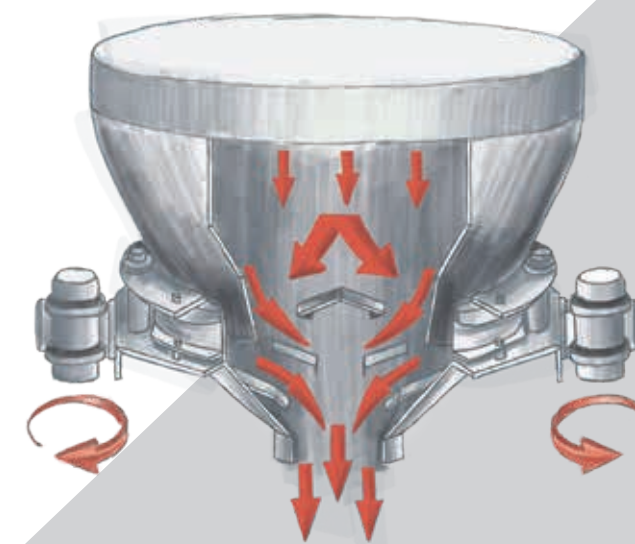
- 604N (Ø 600 mm ≈ 23,6 in)
- 904N (Ø 900 mm ≈ 35,4 in)
- 1204N (Ø 1200 mm ≈ 47,2 in)
- 1504N (Ø 1500 mm ≈ 59,0 in)
- 1804N (Ø 1800 mm ≈ 70,9 in)

BAV AND SILO TRAY OPTIONS

- Explosion-proof (ATEX) design (BAV only)
- Food compliant finish
- Versions for temperatures of up to 180 degrees Celsius
- Addition of air slides to aid in ingredient flow
- Cleaning port with dome cover
- Shut-Off slide valve

SILO TRAY

The Silo Tray vibratory activator guarantees discharge of bulk materials from silos and bins. Two counter rotating vibrators provide a linear motion of the discharge bottom which aids vibratory discharging and avoids bridging. Ideal for discharging fibers, for feeding conveyors, as a continuous feeder operations and for refilling loss-in-weight feeders.



SILO TRAY MODEL SIZES

- 604N (Ø 600 mm ≈ 23,6 in)
- 904N (Ø 900 mm ≈ 35,4 in)
- 1204N (Ø 1200 mm ≈ 47,2 in)
- 1504N (Ø 1500 mm ≈ 59,0 in)

- Slide valve suspension
- Flat slide gate valve with double-acting pneumatic drivetrain
- Rotary flap
- Motor brake
- Wide range of mounting, sleeve and connection options

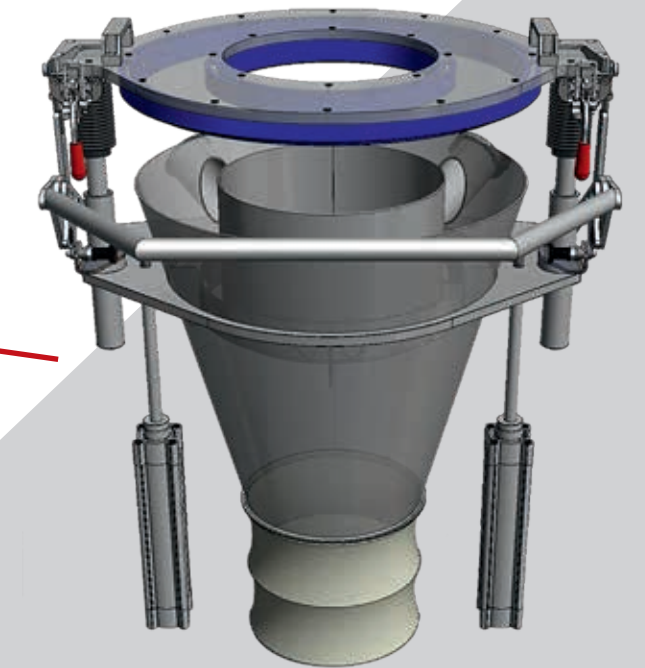
BULK BAGS

BAGMASTER

The BagMaster unloader ensures dust-free unloading of lined or unlined bulk bags. Bulk materials with poor flow properties can also be safely and fully discharged from bulk bags using a paddle mechanism.



DUST-FREE DOCKING STATION



OPTIONS

- Explosion-proof (ATEX) design
- Movable frame
- Food compliant finish
- Four analog load cells for accurate filling-level weighing
- With integrated feeder
- Modular cover to fit outlet diameter
- Bag lifting frame
- Integrated crane